

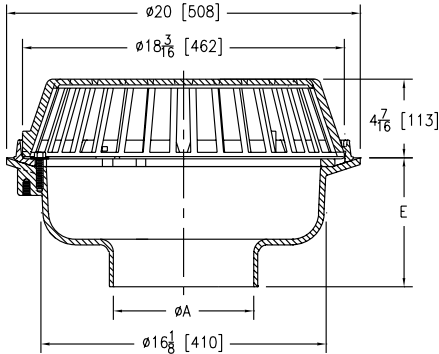
Z101 HIGH CAPACITY 20" DIAMETER MAIN ROOF DRAIN WITH LOW SILHOUETTE DOME



ENGINEERING SPECIFICATION

Zurn Z101 20" diameter roof drain features Dura-Coated cast iron body with combination membrane flashing clamp/gravel guard and low silhouette cast iron dome.

A Pipe Size inches [mm]	Dome Open Area sq in [cm ²]	Approximate Weight lb [kg]
8 [203]	216 [1394]	77 [35]
10 [254]		78 [35]
12 [305]		79 [36]



PREFIXES	DESCRIPTION	PIPE SIZE	LIST PRICE
Z101*	D.C.C.I. Body with Cast Iron Dome	8"	1,878.00
		10"	2,073.00
		12"	2,221.00

OUTLETS (SPECIFY PIPE SIZE IN INCHES AND TYPE OF OUTLET)				
OUTLET TYPE	OUTLET DESIGNATION (PIPE SIZE/OUTLET TYPE)	E BODY HT. DIM.	ADD	
NH	No-Hub	8NH, 10NH, 12NH	7-5/16"	N/C
SUFFIXES				
ADD				
-AR	Acid Resistant Epoxy Coated Finish			1,868.00
-C	Under Deck Clamp			168.00
⊕ -DP	Top Set® Roof Deck Plate (Replaces both -C and -R)			767.00
-E	Static Extension 1" thru 4" (Specify Height)	D.C.C.I.		990.00
		Galv.		1,496.00
	For E Extensions Greater than 4" - Per Inch (Specify Height)	D.C.C.I.		211.00
		Galv.		324.00
⊕ -EB	Top-Set Adjustable Extension Assembly			899.00
-G	Galvanized Cast Iron			1,423.00
-R	Roof Sump Reciever			272.00
-W2	2" Internal Water Dam			1,069.00
-W3	3" Internal Water Dam			1,069.00
-W4	4" Internal Water Dam			1,069.00
-89	2" High External Water Dam			678.00
BEST SELLERS			LIST PRICE	
Z101-8NH			1,878.00	
Z101-8NH-89			2,556.00	
Z101-10NH			2,073.00	
Z101-10NH-DP			2,840.00	
Z101-10NH-89-DP			3,518.00	
Z101-12NH			2,221.00	
Z101-12NH-W2			3,290.00	

Supplied By:



877-903-7246

www.commercialplumbingsupply.com